



CITY OF COEUR D'ALENE Ground Disturbance Permit Application

For ground disturbing activities without site development OR prior to a site development permit



Know what's below.
Call before you dig.

Project Name: _____ Site Address: _____

Legal Description: Lot ____ Block ____ Subdivision _____ OR Serial Number/AIN _____

Owner: _____ Contact Person: _____ Phone: _____

Address: _____ Email: _____

City State Zip

Contractor: _____ Contact Person: _____ Phone: _____

Address: _____ Email: _____

City State Zip

Idaho State Contractor Registration No.: _____ Expiration Date: _____

Activity

- Grading
- Utility Trenching
- Swale Construction
- Foundation Excavation
- Tree Removal
- Hillside Development (15%+ Slope)
- Other: _____

Plan Checklist

- North Arrow
- Scale
- Date of Plan Development
- Existing & Proposed Contours
- Existing & Proposed Site Improvements
- Location/Size of Existing Vegetation
- Distance to shoreline (if applicable)
- Indication of Vegetation Preservation/Removal Items
- Stockpile Area
- Existing Structures
- Sediment & Erosion Control Measures (Silt Fence, Stabilized Construction Entrance, Inlet Protection, Etc.)
- Hillside Features, if applicable (Slope, Significant Trees, Disturbed Area, Footprint of Home/Driveway)

Description of Work:

Provide one (1) paper copy and one (1) CD of all applicable site plans, specifications, soils investigation reports, stormwater, grading, and sediment and erosion control plans.

This permit becomes null and void if work or construction authorized is not commenced within 180 days, or if construction of work is suspended or abandoned for a period of 180 days at any time after work is commenced.

I hereby certify I have read and examined this application and know the same to be true and correct. All provisions of laws and ordinances governing this type of work will be complied with whether specified herein or not. The granting of a permit does not presume to give authority to violate or cancel the provisions of any other state or local law regulating construction or the performance of construction.

Owner/Authorized Agent _____ Date: _____

STAFF TO COMPLETE: Submittal Date: _____ Time: _____ Receipt Number: _____ Fee Amount: _____ \$0 _____ Accepted By: _____

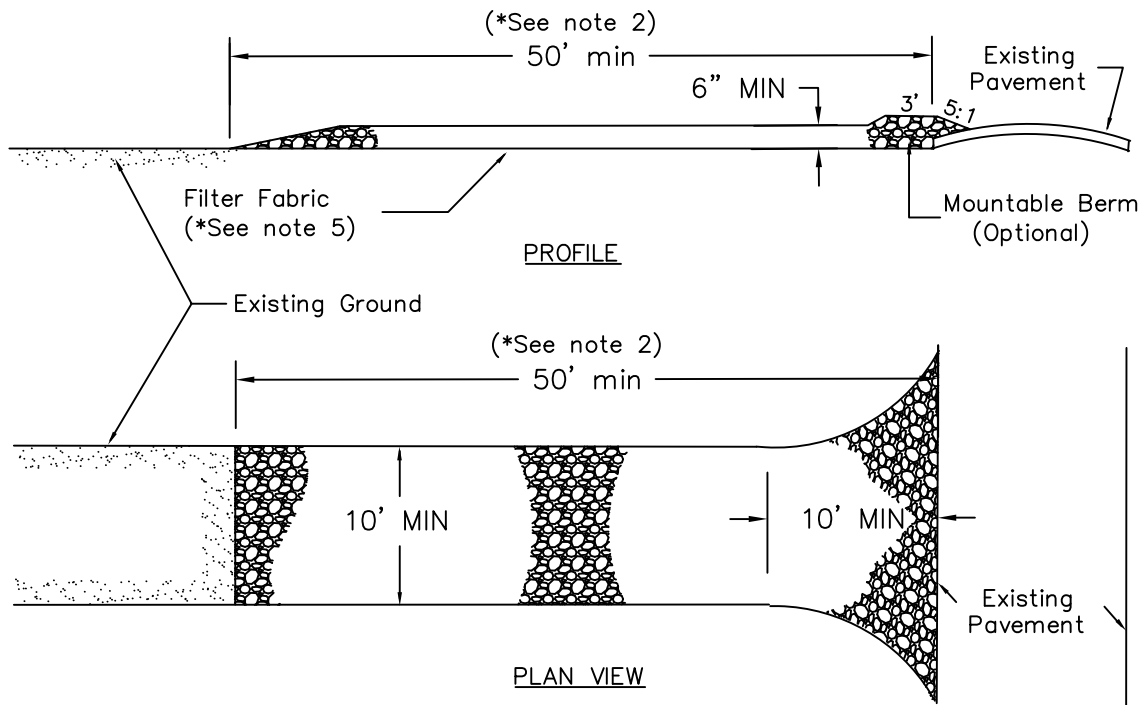
EROSION / SEDIMENTATION CONTROL NOTES PAGE 1

1. Approval of this Erosion/Sedimentation Control (ESC) plan does not constitute an approval of permanent road or drainage design (e.g., size and location of roads, pipes, restrictors, channels, retention facilities, utilities, etc.).
2. The implementation of this ESC plan and the construction, maintenance, replacement, and upgrading of these ESC facilities is the responsibility of the Permittee / Contractor until all construction is approved.
3. The boundaries of the clearing limits shown on this plan shall be clearly flagged in the field by a clearing control fence prior to construction. During the construction period, no disturbance or removal of any ground cover beyond the flagged clearing limits shall be permitted. The flagging shall be maintained by the Permittee / Contractor for the duration of construction. All ground cover is to remain outside of clearing area(s).
4. The ESC facilities shown on this plan must be constructed in conjunction with all clearing and grading activities in such a manner as to ensure that sediment-laden water does not enter the drainage system, leave the site, or violate applicable water standards, and must be installed and in operation prior to any grading or land clearing. Wherever possible, maintain natural vegetation for erosion control.
5. The ESC facilities shown on this plan are the minimum requirements for anticipated site conditions. During the construction period, these ESC facilities shall be upgraded (e.g., additional sumps, relocation of ditches and silt fences, etc.) as needed for unexpected storm events. Additionally, more ESC facilities may be required to ensure complete siltation control. Therefore, during the course of construction it shall be the obligation and responsibility of the Contractor to address any new conditions that may be created by his activities and to provide additional facilities over and above the minimum requirements as may be needed.
6. The ESC facilities shall be inspected by the Permittee / Contractor daily during non-rainfall periods, every hour (daylight) during a rainfall event, and at the end of every rainfall, and maintained as necessary to ensure their continued functioning. In addition, temporary siltation ponds and all temporary siltation controls shall be maintained in a satisfactory condition until such time as clearing and/or construction is completed, permanent drainage facilities are operational, and the potential for erosion has passed.
7. The ESC facilities on inactive sites shall be inspected and maintained a minimum of once a week or within 48 hours following a storm event.
8. At no time shall more than 1 foot of sediment be allowed to accumulate within a catch basin. All catch basins and conveyance lines shall be cleaned prior to paving. The cleaning operation shall not flush sediment-laden water into the downstream system.
9. Stabilized construction entrances and wash pads shall be installed at the beginning of construction and maintained for the duration of the project. Additional measures may be required to ensure that all paved areas are kept clean for the duration of the project.
10. Any permanent retention/detention facility used as a temporary settling basin shall be modified within the necessary erosion control measures and shall provide adequate storage capacity. If the permanent facility is to function ultimately as an infiltration or dispersion system, the facility shall not be used as a temporary settling basin. No underground detention tank, detention vault, or system which backs under or into a pond shall be used as a temporary settling basin.

REVISION	APPROVED	DATE	CITY OF COEUR d'ALENE STANDARD DRAWING	APPROVED BY:
			<i>EROSION/SEDIMENTATION CONTROL NOTES PAGE 1</i>	<i>Chris Bosley</i> CITY ENGINEER, PE (10864)
				6/20/18 DATE:
				DWG NO. M-16

11. Where straw mulch is required for temporary erosion control, it shall be applied at a minimum thickness of 2".
12. All erosion / sedimentation control ponds with a dead storage depth exceeding 12" must have a perimeter fence with a minimum height of 3 feet.
13. All work and materials shall be in accordance with the City of Coeur d'Alene Standards and Specifications.
14. The ESC facilities shall be constructed in accordance with the details on the approved plans. Locations may be moved to suit field conditions, subject to approval by the Engineer and the City of Coeur d'Alene Inspector.
15. A copy of the approved erosion control plans must be on the job site whenever construction is in progress.
16. Any catch basins or drywells collecting runoff from the site, whether they are on or off the site, shall have their grates covered with filter fabric during construction, and shall be removed upon project completion or vegetative establishment.
17. The washed gravel backfill adjacent to the filter fabric fence shall be replaced and the filter fabric cleaned if it is nonfunctional by excessive silt accumulation as determined by the City of Coeur d'Alene. All interceptor swales shall be cleaned if silt accumulation exceeds one-quarter depth.
18. Rock for erosion protection of channels and ditches, where required, must be of sound quarry rock, placed to a depth of 1 foot and must meet the following specifications:
 - 4"-8" rock: 40%-70% passing
 - 2"-4" rock: 30%-40% passing
 - 1"-2" rock: 10%-20% passing
19. If any part(s) of the clearing limit boundary or temporary erosion / sedimentation control plan is/are damaged, it shall be repaired immediately.
20. All properties adjacent to the project site shall be protected from sediment deposition and runoff.
21. Do not flush concrete byproducts or trucks near or into the storm drainage system.

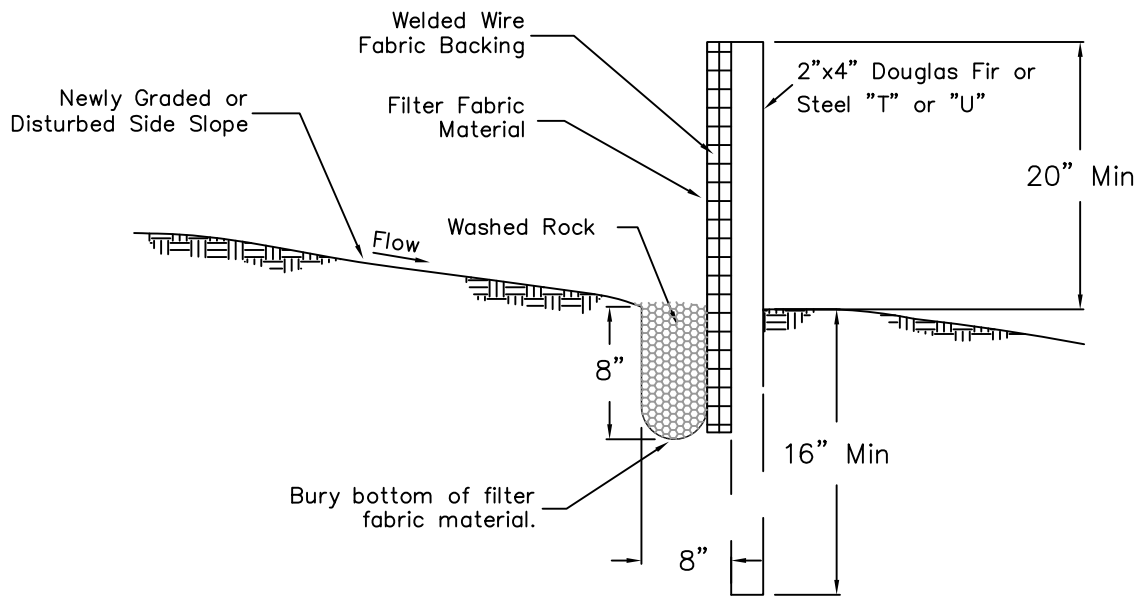
REVISION	APPROVED	DATE	CITY OF COEUR d'ALENE STANDARD DRAWING	APPROVED BY:
			<i>EROSION/SEDIMENTATION CONTROL NOTES PAGE 2</i>	<i>Chris Bodley</i> CITY ENGINEER, PE 10804
				6/20/18 DATE:
				DWG NO. M-17



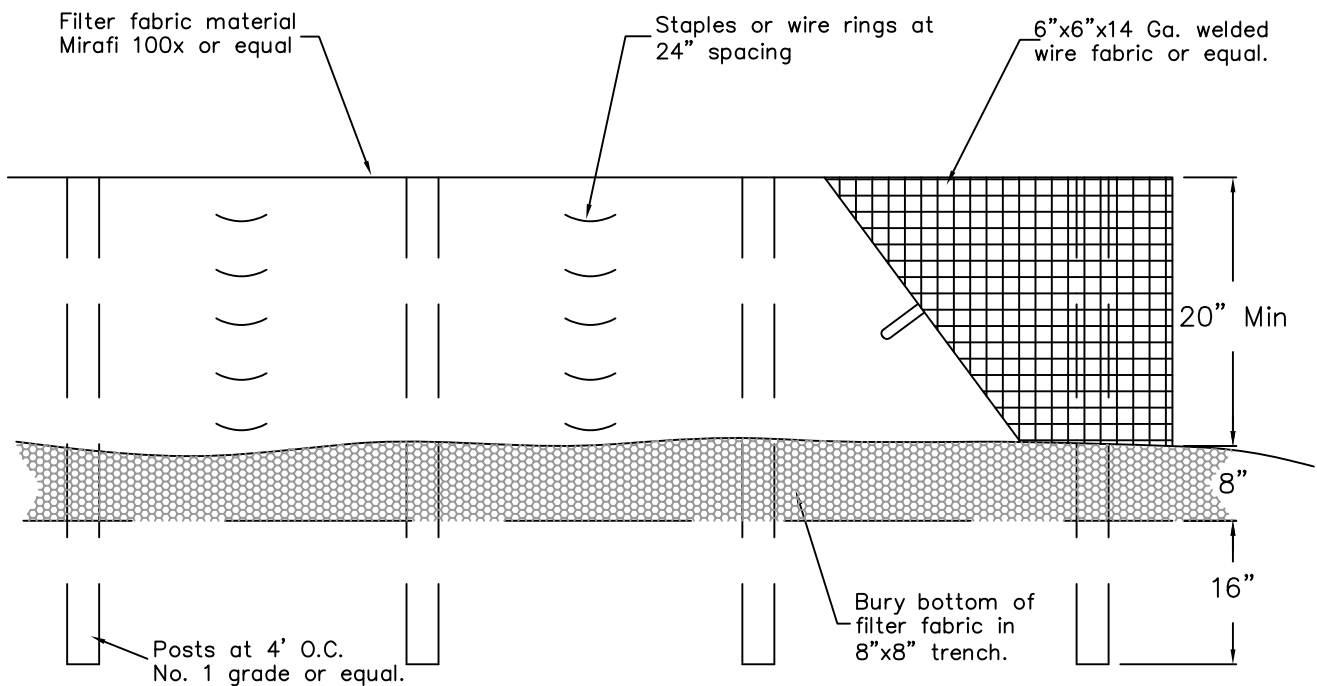
CONSTRUCTION SPECIFICATIONS

1. Stone size: 2" stone or reclaimed or recycled concrete equivalent.
2. Length: as required, but not less than 50 feet (except 20 foot minimum on a single family residence).
3. Thickness: not less than 6 inches.
4. Width: 10 foot minimum, but not less than the full width of ingress and egress locations.
5. Filter fabric shall be placed over the entire area prior to placing of stone. Filter cloth will not be required on a single family residence lot.
6. Surface water: all surface water flowing or diverted toward construction entrances shall be piped across the entrance. If piping is impractical, a mountable berm with 5:1 slopes will be required.
7. Maintenance: the entrance shall be maintained in a condition which will prevent tracking or flowing of sediment onto public right-of-way. This may require periodic top dressing with additional stone as conditions demand and repair and/or cleanout of any measures used to trap sediment. All sediment spilled, dropped, washed or tracked onto public right-of-way must be removed immediately.
8. Washing: wheels shall be cleaned to remove sediment prior to entrance onto public right-of-way. When washing is required, it shall be done in an area stabilized with stone and which drains into an approved sediment trapping device.
9. Periodic inspection and needed maintenance shall be provided after each rain.

REVISION	APPROVED	DATE	CITY OF COEUR d'ALENE STANDARD DRAWING	APPROVED BY:	
				<i>STABILIZED CONSTRUCTION ENTRANCE</i>	<i>Chris Bodley</i>
			CITY ENGINEER, PE 10804		DATE:
			DWG NO.		M-18

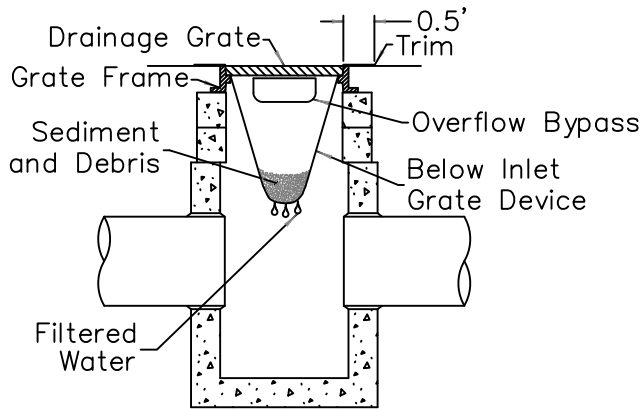


Typical Cross Section
Not to Scale

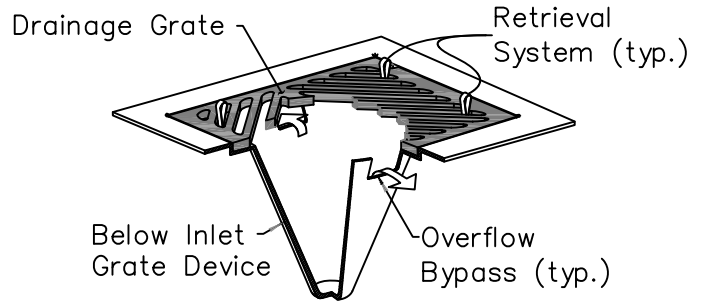


Elevation
Not to Scale

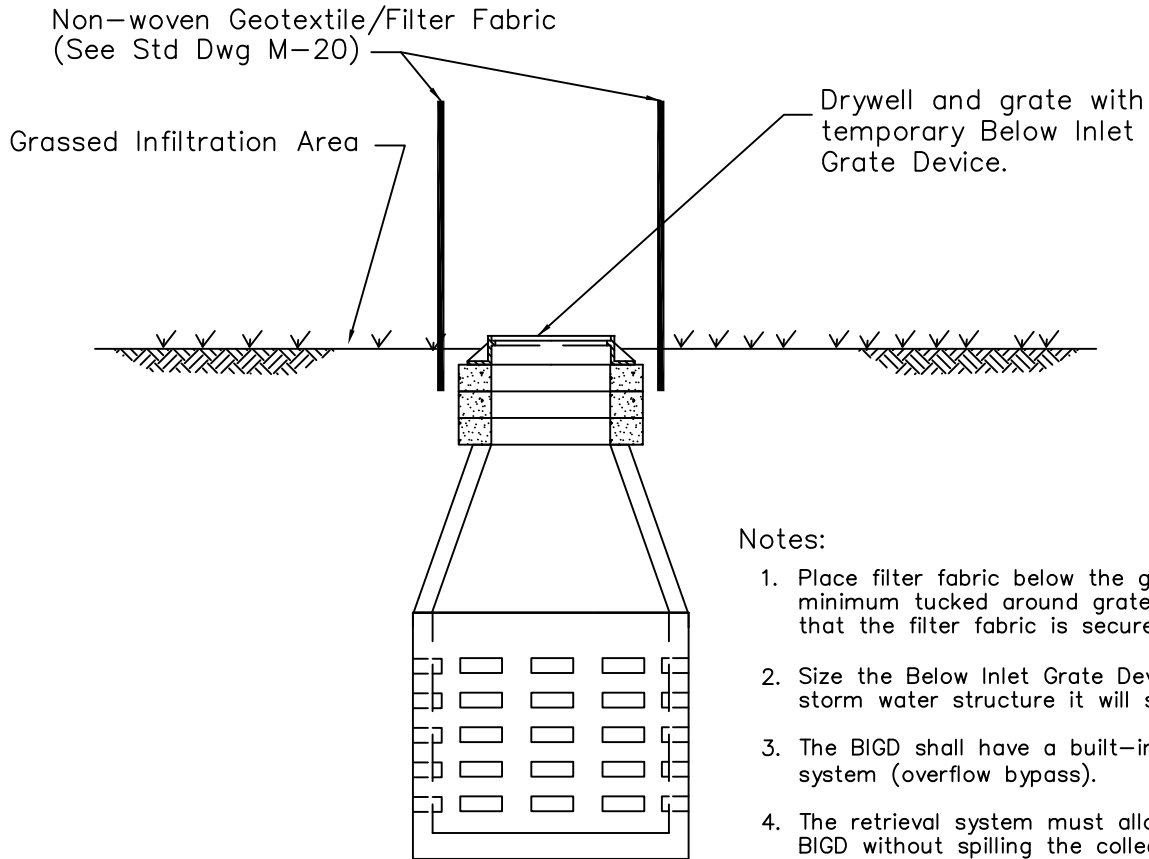
REVISION	APPROVED	DATE	CITY OF COEUR d'ALENE STANDARD DRAWING	APPROVED BY:	
				<h1>SILT FENCE</h1>	 CITY ENGINEER, PE 10804
			DWG NO.		M-20



Catch Basin/Inlet
Not to Scale



Below Inlet Grate Device Detail
Not to Scale



Drywell
Not to Scale

Notes:

1. Place filter fabric below the grate with 0.5' minimum tucked around grate sides to ensure that the filter fabric is secure.
2. Size the Below Inlet Grate Device (BIGD) for the storm water structure it will service.
3. The BIGD shall have a built-in high-flow relief system (overflow bypass).
4. The retrieval system must allow removal of the BIGD without spilling the collected material.
5. Perform maintenance in accordance with Std Dwg M-16.

1.

REVISION	APPROVED	DATE	CITY OF COEUR d'ALENE STANDARD DRAWING	APPROVED BY:
			INLET PROTECTION	<i>Chris Bodley</i> CITY ENGINEER, PE 10804
				DWG NO. M-19
				5/30/18 DATE: