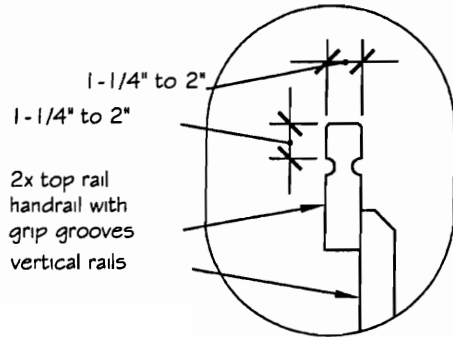


Manufactured Housing (Residential) Landing and Stair Requirements

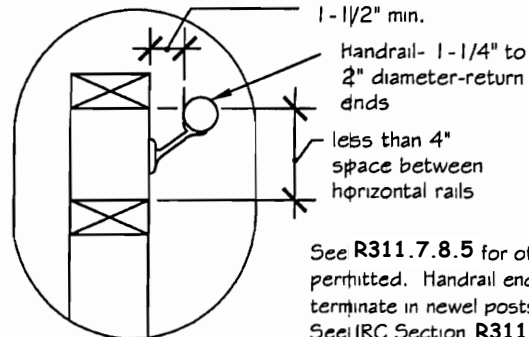
A minimum 3 ft x 3 ft landing is required at both exits.

Anything larger than a 4 ft x 5 ft landing requires a separate building permit.

Typical Landing, Stairs, and Railing



(A) Stair handrail



(B) Stair handrail

See R311.7.8.5 for other handrail shapes permitted. Handrail ends shall be returned or terminate in newel posts or safety terminals. See IRC Section R311.7.8.5

- minimum 3'x3' landing at all exterior doors
- min. 36" wide stairway

36" high guardrail required when deck is over 30" above grade

guardrail spaces so that a 4" sphere cannot pass- R312.1.3

exception- triangular space so that a 6" sphere cannot pass

guardrail spaces so that a 4 3/8" sphere cannot pass

if 4 or more risers- handrail is required- R311.7.8

4'-0" max submit framing details for heights exceeding 4 feet

2x6 joists @ 24" o.c.
4x6 girders at 6' o.c.
4x4 posts (use 4x6 at joints)

brace when over 3' high

10" min. step

3/4" min. max. 1-1/4"

3/8" Max variance on treads and risers

7-3/4" max. riser

34" to 38" high handrail

max. 2% slope

3 ft. x 3 ft. landing-min.

Install approved 128 sq in footings as required

opening between treads does not permit passage of 4" sphere- not limited if total rise is less than 30 inches. R311.7.5.1

All exterior landing and components exposed to the weather must utilize decay-resistant wood such as heartwood of redwood, black locust, cedars or pressure-treated wood in accordance with International Residential Code Section R507.2.1