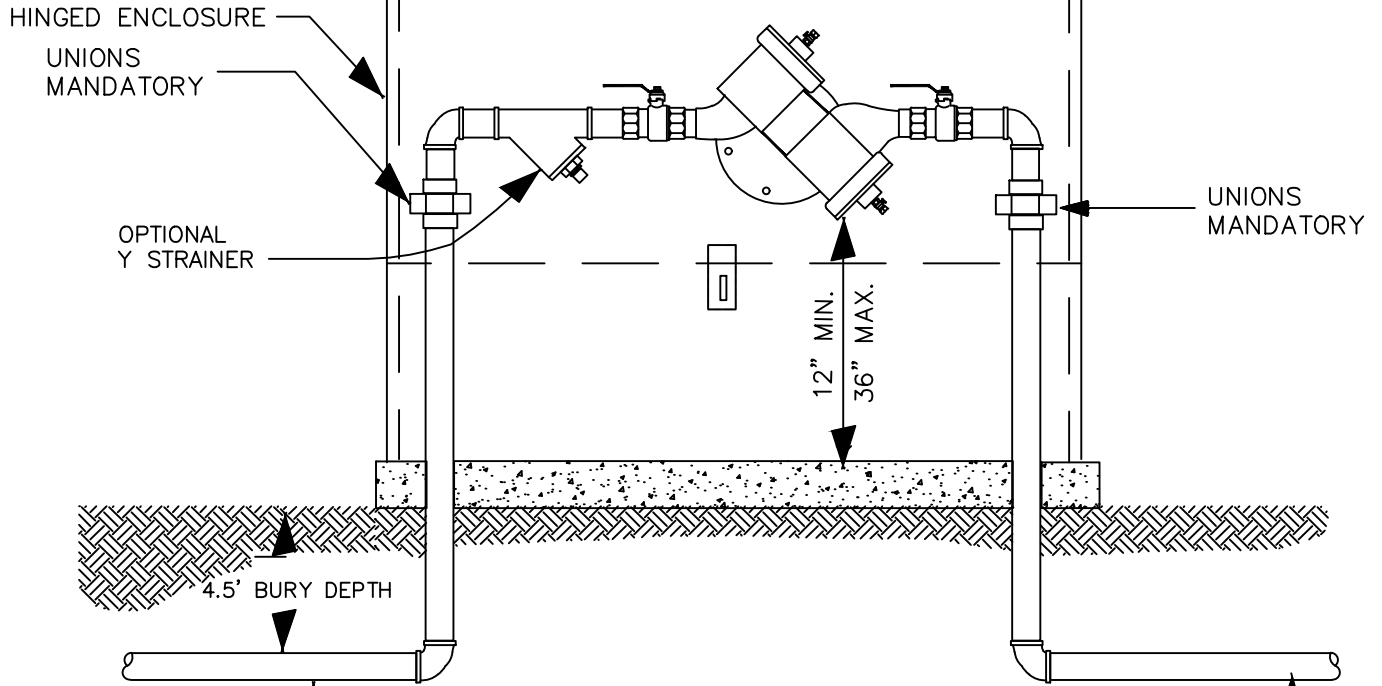
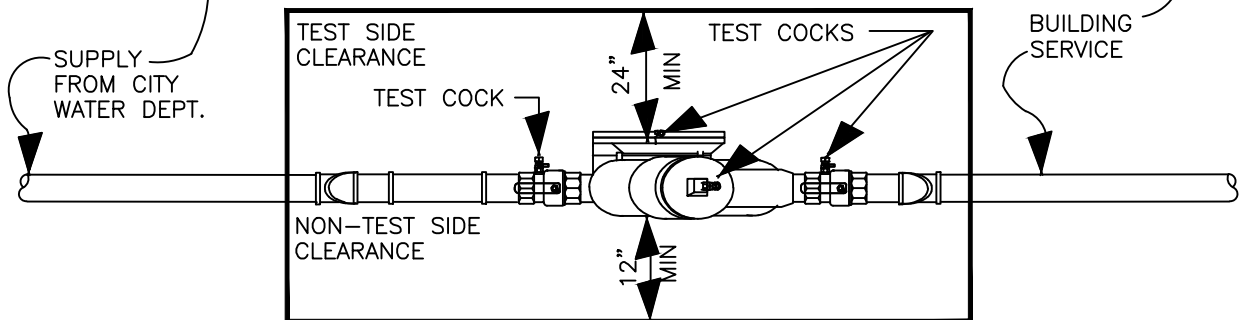


SIDE VIEW



TOP VIEW



NOTES:

1. BACKFLOW ASSEMBLY MUST MEET U.S.C./IDAPA STANDARDS AND SPECIFICATIONS, PLEASE CALL BEFORE ORDERING.
2. ASSEMBLIES MUST BE INSTALLED ABOVE GRADE IN A HORIZONTAL ORIENTATION ONLY.
3. ENCLOSURE FOR OUTDOOR PROTECTION OF THE ASSEMBLY IS ALLOWED, BUT MUST PROVIDE IMMEDIATE TOP ACCESS OF 12" FOR TESTING AND MAINTENANCE.
4. TEST COCKS ARE REQUIRED TO FACE AWAY FROM WALLS AND NEAREST STATIONARY OBJECT, AND AT NO TIME BE LESS THAN 24" CLEARANCE.
5. THERE MUST BE NO BRANCH PIPING OR TEES CONNECTED TO THE SUPPLY PIPE BETWEEN THE CITY SERVICE SUPPLY LINE AND THE ASSEMBLY.
6. IF A BACKFLOW ASSEMBLY IS REQUIRED FOR PREMISE ISOLATION DUE TO AN AUXILIARY SOURCE AND HAS NOT BEEN INSTALLED IMMEDIATELY DOWNSTREAM OF THE WATER METER BOX, THE ENTIRE LENGTH OF THE WATER SERVICE FROM THAT POINT TO THE BACKFLOW ASSEMBLY SHALL BE ENCASED IN MINIMUM 4" OF CONCRETE.
7. ALL MEASUREMENTS ARE FROM THE LOWEST OR WIDEST PART OF THE ASSEMBLY.
8. ALL ASSEMBLIES ARE SUSCEPTIBLE TO FREEZING AND SHALL BE ADEQUATELY FREEZE PROTECTED.
9. ADEQUATE DRAINAGE FROM THE ASSEMBLY MUST BE PROVIDED.
10. NO ASSEMBLIES OR ENCLOSURES ARE TO BE INSTALLED OVER THE WATER METER VAULT TO ALLOW ACCESS FOR MAINTENANCE OF WATER METER.

REVISION	APPROVED	DATE	CITY OF COEUR d'ALENE STANDARD DRAWING	APPROVED BY:
			<p>APPROVED RP FOR PREMISE ISOLATION</p>	<p><i>Chris Busby</i> 4/13/13 CITY ENGINEER, PE 10604 DATE:</p>
				<p>DWG NO. W-37</p>