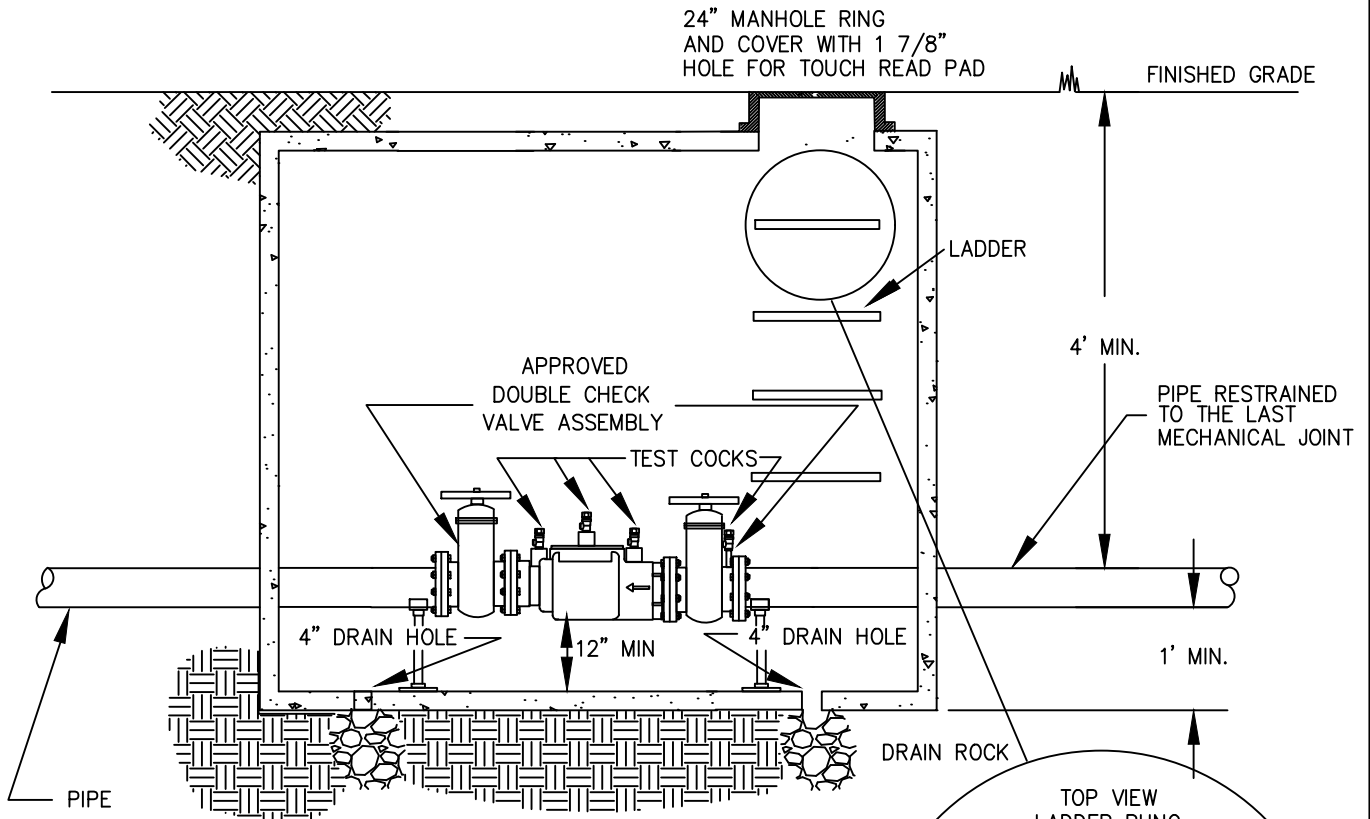
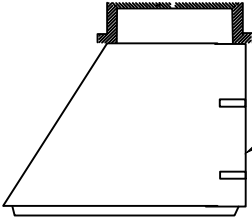
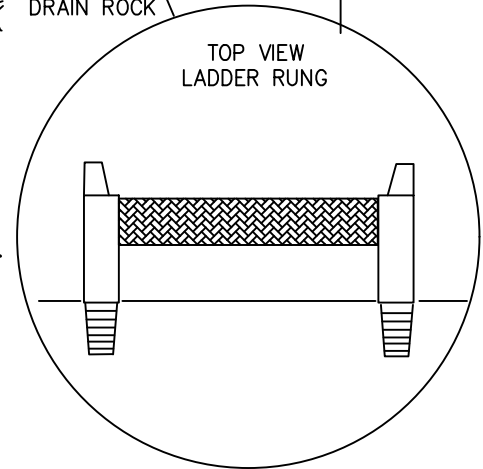


OPTIONAL 24" HIGH OFFSET  
MANHOLE CONE W/ STEPS FOR  
BURY DEPTH OVER 30".



**NOTES:**

1. VAULT CONSTRUCTION TO BE DESIGNED BASED ON POTENTIAL TRAFFIC LOAD. WILBERT 1900 SERIES OR APPROVED EQUAL.
2. LENGTH AND WIDTH OF VAULT SHALL ACCOMMODATE EQUIPMENT WITH ADEQUATE OR VENDORS RECOMMENDED CLEARANCE FROM WALLS TO REMOVE OR MAINTAIN EQUIPMENT. MUST HAVE ACCESS LADDER.
3. MUST PROVIDE ADEQUATE CLEARANCE FOR TESTING AND MAINTENANCE OF THE ASSEMBLY - 12" MINIMUM FOR THE NON TEST SIDE, 24" MINIMUM FOR THE TEST SIDE.
4. THERE SHALL BE NO UPSTREAM CONNECTIONS OR TEES INSTALLED BETWEEN THE METER VAULT AND THE BACKFLOW ASSEMBLY EXCEPT FOR PARALLEL ASSEMBLY INSTALLATION.



REVISION	APPROVED	DATE	CITY OF COEUR d'ALENE STANDARD DRAWING	APPROVED BY:	
				<b>4" OR LARGER DC IN VAULT</b>	<i>Chris Booley</i>
			CITY ENGINEER, PE 10804		DATE:
				DWG NO.	W-24