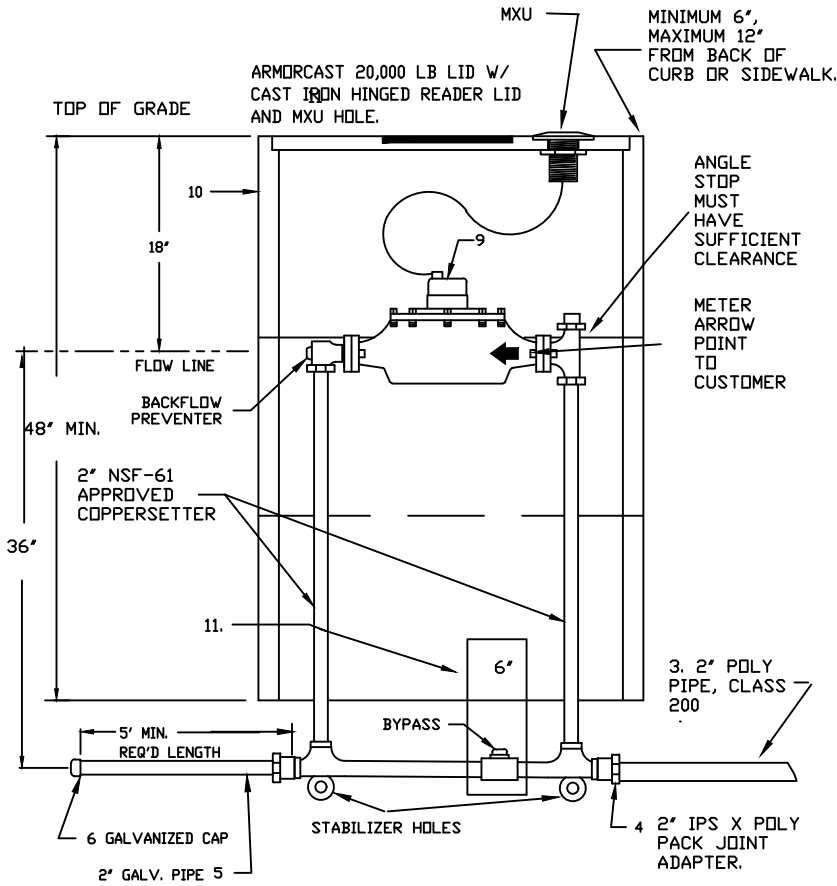
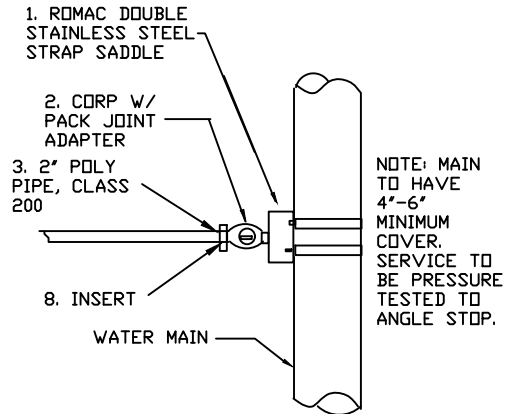


SIDE VIEW

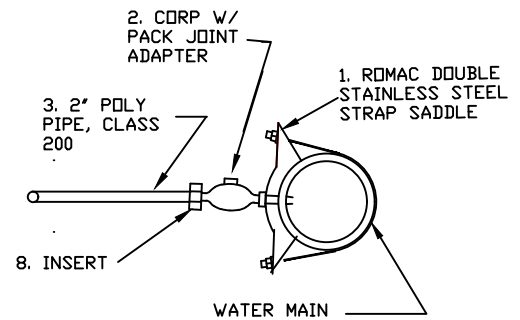


APPROVED TAPPING METHOD

TOP VIEW



SIDE VIEW

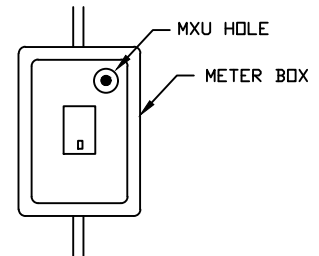


APPROVED TAPPING METHOD AND PARTS

ITEM NO.	NO. REQ'D.	DESCRIPTION
1	1	2" ROMAC DOUBLE STRAP SERVICE SADDLE
2	1	IPS x 2" POLY PACK JOINT BRONZE CORPORATION STOP.
3	1	2" x REQ. LENGTH - USE PIPE SIZE, 200 PSI POLYETHYLENE SERVICE LINE
4	1	2" IPS x 2" POLY BRASS PACK JOINT ADAPTER
5	1	2" x MIN 5' LONG - GALVANIZED IRON PIPE BACK SIDE OF BOX
6	1	2" GALVANIZED CAP.
7	1	2" NSF-61 APPROVED COPPERSETTER, ALL COMPONENTS
8	2	2" POLY INSERTS WHERE NEEDED.
9	1	2" BADGER DISC TYPE RADIO READ METER (METER LENGTH=17")
10	4	ARMORCAST OR HUBBEL METER BOX SECTIONS W/ RADIOREAD LID - 17" X 30"
11	1	6" x 8" PVC SLEEVE SADDLE NOTCHED OVER BYPASS VALVE.

NOTE: ALL MATERIALS USED IN CONTACT WITH POTABLE WATER ARE TO BE NSF-61 COMPLIANT.

- NOTE: 1. TURBINE METER MAY BE USED FOR COMMERCIAL APPLICATIONS WITH A STRAINER, USE DISK METER FOR RESIDENTIAL DOMESTIC SETTINGS ONLY.
- 2. STABILIZER BAR MUST BE USED FOR SETTINGS HAVING POLYPIPE ON BOTH FRONT AND BACK SIDES.
- 3. NO PRIVATE CONNECTIONS OR FITTINGS ALLOWED INSIDE THE METER BOX.**
- 4. POLY PIPE MAY BE USED WHEN CONNECTING TO AN EXISTING SERVICE IN THE EVENT THAT A GALVANIZED CONNECTION CANNOT BE EASILY MADE.



PLAN VIEW

REVISION	APPROVED	DATE

CITY OF COEUR d'ALENE STANDARD DRAWING

**2" COPPERSETTER
STANDARD PIT SETTING**

APPROVED BY:

Chris Busby 4/13/13
CITY ENGINEER, PE 10604 DATE:

DWG NO. W-14