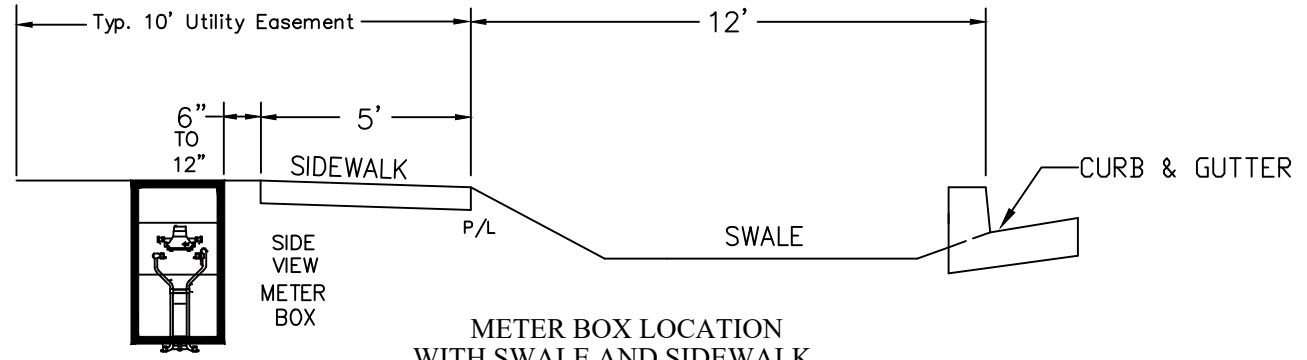
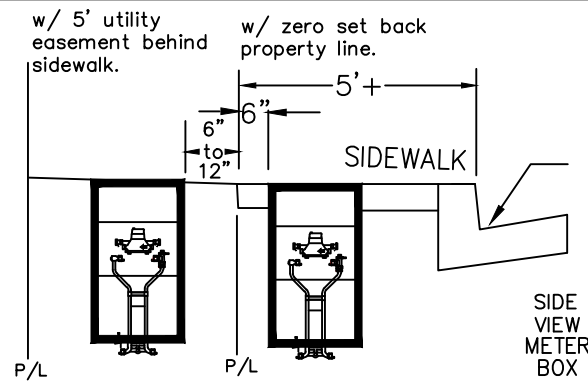
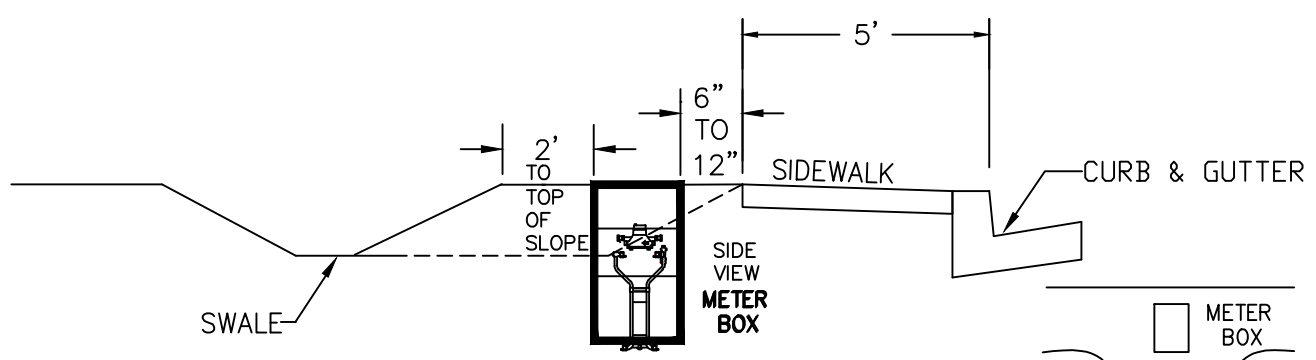


METER BOX LOCATION WITH PARK STRIP AND SIDEWALK

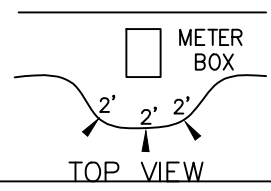
METER BOX LOCATION W/ METER BOX IN SIDEWALK AND PROPERTY LINE AT BACK OF SIDEWALK - OR - METER BOX LOCATION W/ METER BOX IN 5' UTILITY EASEMENT BEHIND THE SIDEWALK.



METER BOX LOCATION WITH SWALE AND SIDEWALK



METER BOX LOCATION WITH SIDEWALK



TOP VIEW

REVISION	APPROVED	DATE

CITY OF COEUR d'ALENE STANDARD DRAWING

**WATER METER LOCATIONS**

APPROVED BY:  
*Chris Bosley*  
 CITY ENGINEER, PE 10804  
 4/13/18  
 DATE:  
 DWG NO. W-2