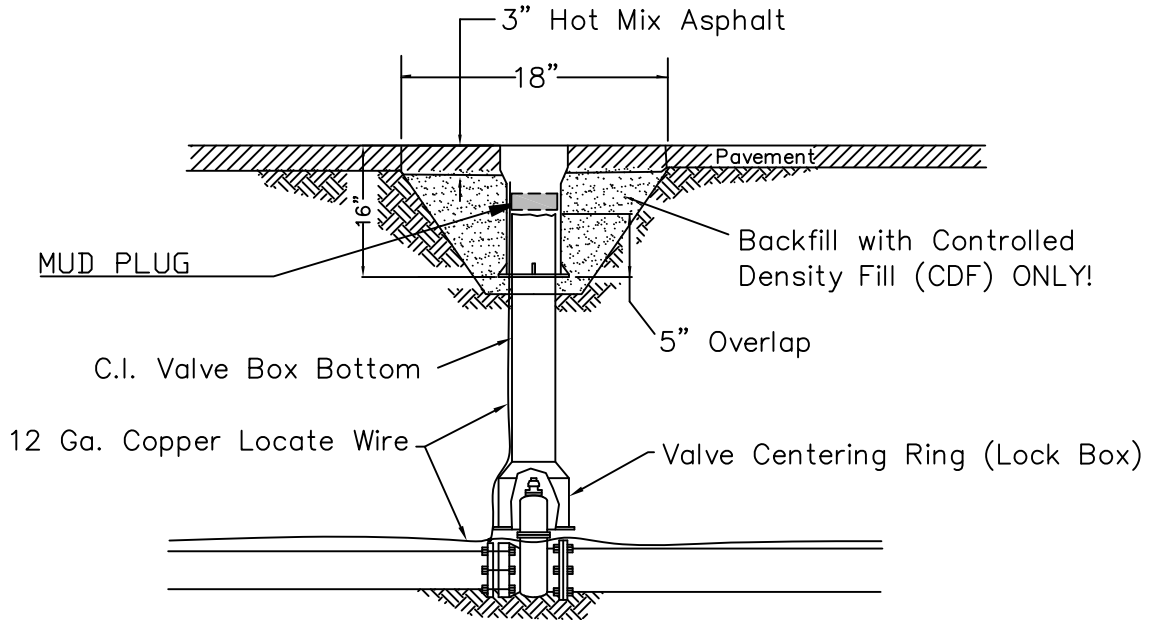


FOR NEW WATER MAIN INSTALLATIONS OR ADJUSTMENTS TO EXISTING VALVES



TYLER CAST IRON VALVE BOX 6855 HD, WITH NO FLIP "WATER" HEAVY LID, 16" x 6 1/8" ID TO SLIP OVER C.I. VALVE BOX BOTTOM SECTION.

FOR OVERLAY PROJECTS WHERE EXISTING TYLER VALVE BOXES ARE PRESENT, MAY USE 5" DOUBLE HUB SOIL PIPE AS BOTTOM BOX EXT.

Note: See Standard Drawing W-12 for Valve Box Details.



5" C.I. double hub soil pipe extension, cut to length as required.
(Makes two extensions)



CITY OF COEUR D'ALENE STANDARD DRAWING

VALVE BOX ADJUSTMENT

APPROVED BY:

Chris Bosley
CITY ENGINEER, PE 10804

10/1/24
DATE:

DWG NO.

W-13