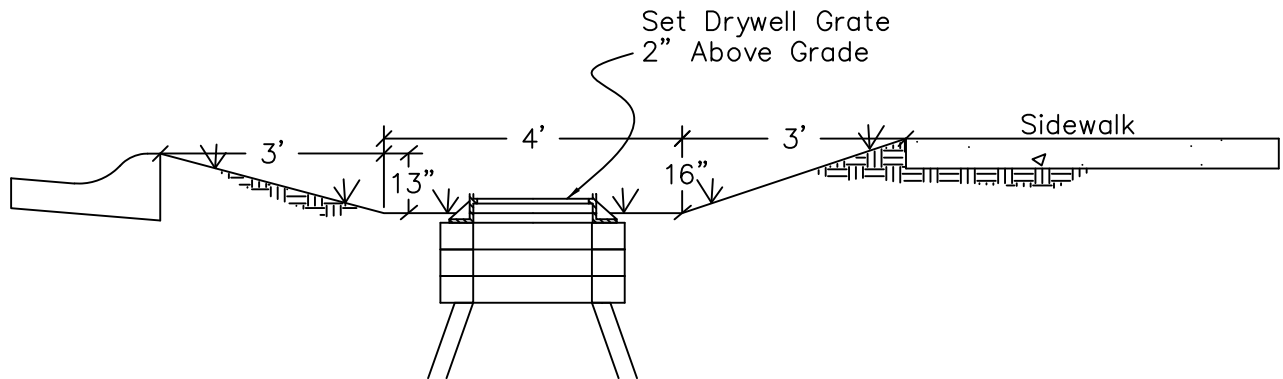


STANDARD CURB AND GUTTER SECTION



ROLLED CURB AND GUTTER SECTION

NOTES:

1. All swales shall have a minimum infiltration rate of 0.5"/hr
2. See Standard Drawing **SD-6** for drywell detail.
3. See Standard Drawing **C-17** for Inlet Apron detail.

REVISION	APPROVED	DATE	CITY OF COEUR d'ALENE STANDARD DRAWING	APPROVED BY:	
1. Depth rev-16"				<p><i>RESIDENTIAL</i></p> <p><i>SWALE</i></p>	 CITY ENGINEER, PE 10804
			DWG NO.		SD-7