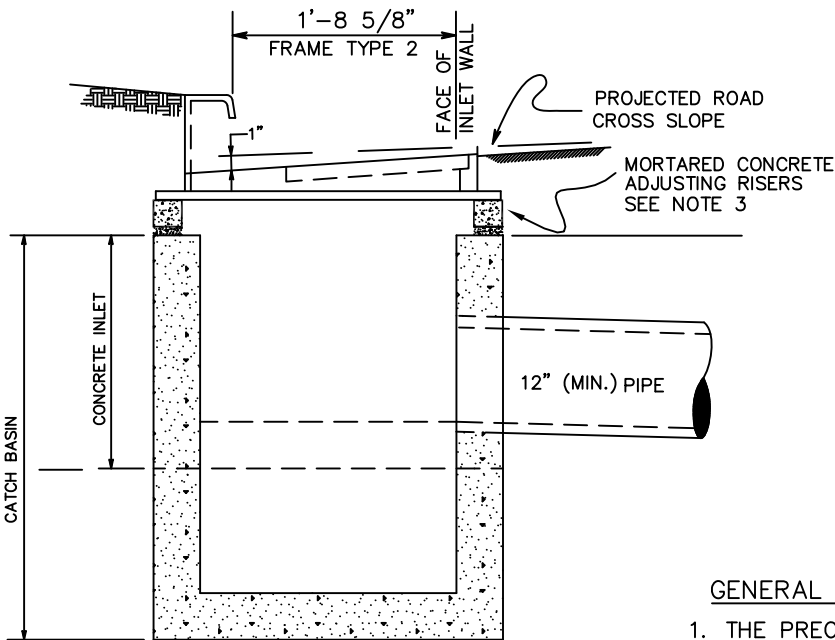
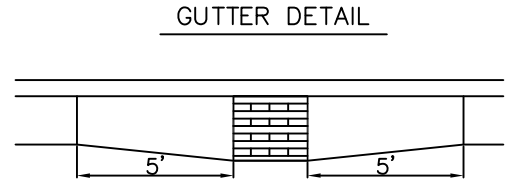


STANDARD
CATCH BASIN OR INLET



CATCH BASIN OR INLET
FOR USE AT LOW POINTS

GENERAL NOTES

1. THE PRECAST CONCRETE INLET SHALL BE PLACED ON THE SAME GRADE AS THE CURB.
2. TYPE 2 FRAME TO BE USED WITH CATCH BASIN
3. A MINIMUM OF 1 RISER REQUIRED TO ADJUST HOOD OF TYPE 2 FRAME

REVISION	APPROVED	DATE	CITY OF COEUR d'ALENE STANDARD DRAWING	APPROVED BY:
				<h1>CATCH BASIN INSTALLATION DETAILS</h1>
			DWG NO. SD-5 DATE: 6/20/18	