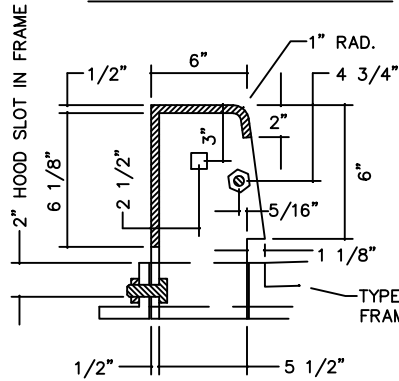
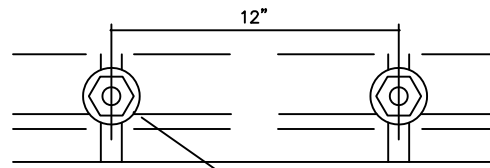


GUARD SLOT DETAIL

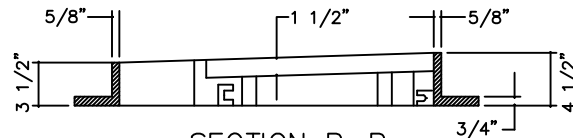


SECTION D-D

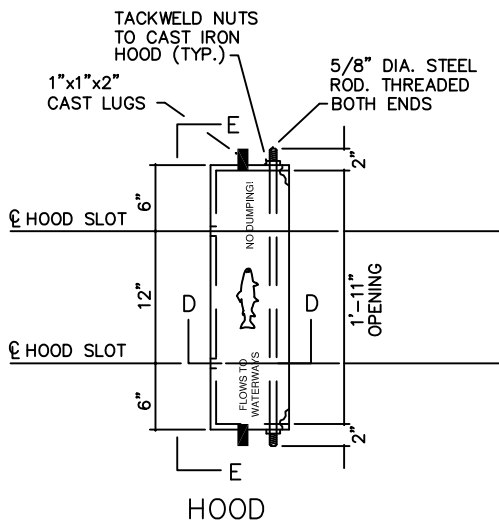


VIEW E-E

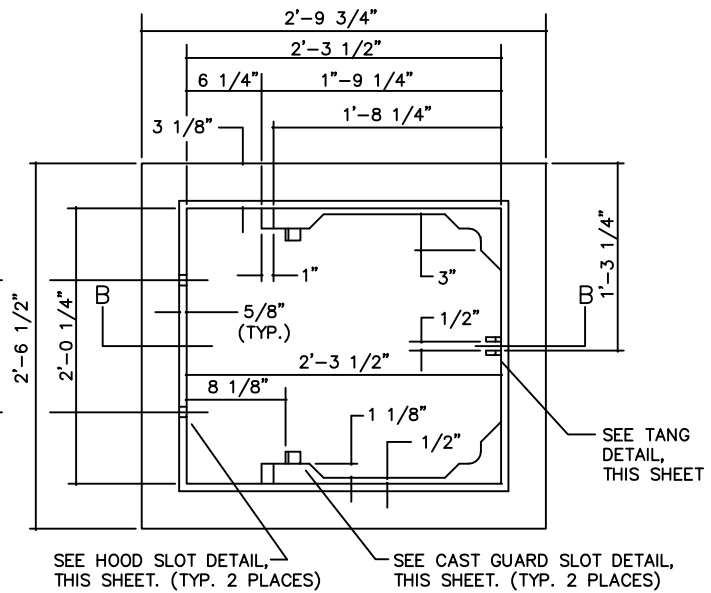
TWO (2) 3/4"x2" BOLTS
W/STD. FLAT WASHER
AND NUT



SECTION B-B



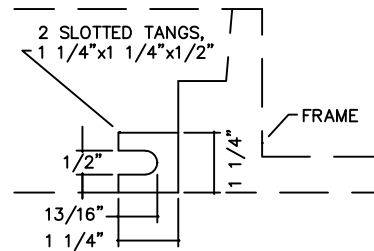
HOOD



FRAME - TYPE 2

GENERAL NOTES

1. FRAME SHALL BE GRAY IRON CONFORMING TO A.S.T.M. A48-90, GRADE 30. THE GRATE SHALL BE DUCTILE IRON CONFORMING TO A.S.T.M. A536-84, GRADE 80-55-06.
2. BOLTS AND ROD SHALL CONFORM TO A.S.T.M. DESIGNATION A307, GRADE A.
3. USE WITH CATCH BASIN AND CONCRETE INLET, SEE STD DRAWING SD-1.
4. FIT TOLERANCE SHALL BE 1/8" ±.
5. FOR GRATE DETAILS SEE STD. DRAWING SD-4.



TANG DETAIL



CITY OF COEUR D'ALENE STANDARD DRAWING

GRATE FRAME
TYPE 2

APPROVED BY:

Chris Bosley
CITY ENGINEER, PE 10804

10/1/24
DATE:

DWG NO.

SD-3