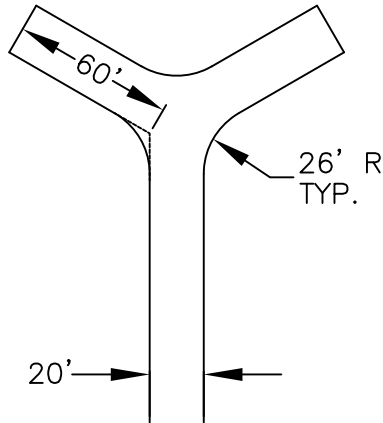
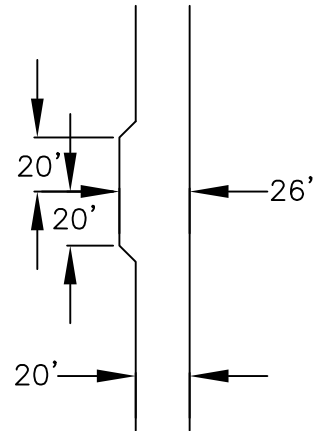


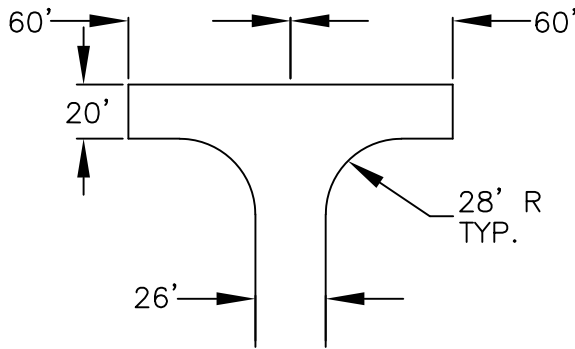
96-FOOT DIAMETER
CUL-DE-SAC



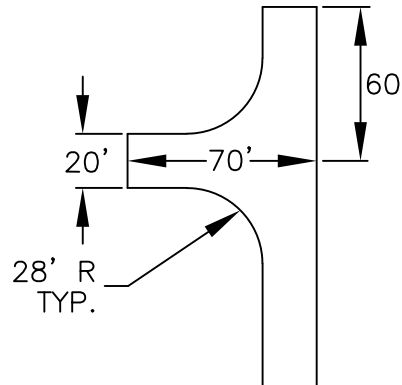
60-FOOT "Y"



MINIMUM CLEARANCE
AROUND FIRE HYDRANT



120-FOOT HAMMERHEAD



ACCEPTABLE ALTERNATIVE
TO 120-FOOT HAMMERHEAD

NOTES:

1. Minimum dimensions: The minimum unobstructed width shall be 20' and the minimum unobstructed vertical clearance shall be not less than 13'-6".
2. Surface: Fire Department access roads shall be designed and maintained to support the imposed loads of a fire apparatus (75,000 lbs.) and shall be an all-weather surface.
3. Turning radius: A 25' inside and 50' outside radius shall be provided unless otherwise directed by the fire code official.
4. Dead-end streets in excess of 150' in length shall be provided with an approved fire apparatus turn around area as shown above.
5. Grade shall be 8% maximum unless otherwise directed by the fire code official based on the Fire Department's fire apparatus
6. Angle of approach and departure must be within the limits established by the fire code official based on Fire Department apparatus.



CITY OF COEUR D'ALENE STANDARD DRAWING

APPROVED BY:

**FIRE ACCESS
REQUIREMENTS**

Chris Busby
CITY ENGINEER, PE 10804

10/1/24
DATE:

DWG NO.

M-43