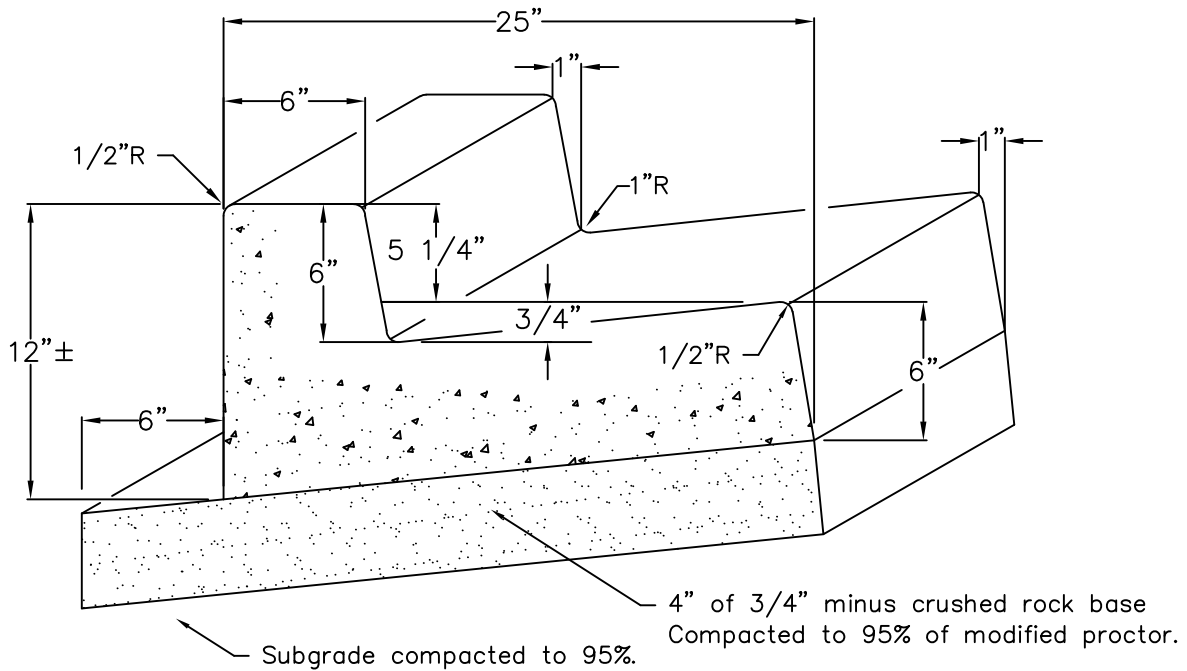


"Dump" Curb Option



Not to Scale

NOTES:

1. Weakened plane joints shall be installed every ten (10) feet with expansion joint filler at curb returns and every one hundred (100) feet per Standard Drawing C-5.
2. When existing curb is removed care shall be taken not to disturb existing asphalt pavement. Refer to Standard Drawing M-11 for asphalt street repair.
3. Joints between existing and new curb shall be sawed.
4. A light broom finish is required.
5. Compressive Strength of Concrete shall be 4000 PSI minimum.
6. Ensure that grade breaks at pedestrian ramps are less than 13%.

REVISION	APPROVED	DATE	CITY OF COEUR d'ALENE STANDARD DRAWING	APPROVED BY:
			STANDARD CURB AND GUTTER	<i>Chris Bosley</i> CITY ENGINEER, PE 10804
				6/13/18 DATE:
			DWG NO.	C-1