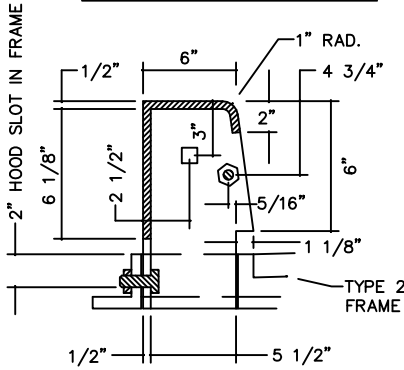
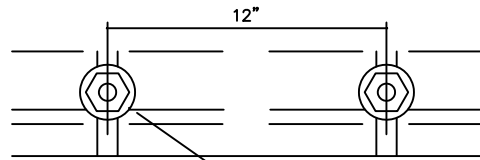


GUARD SLOT DETAIL

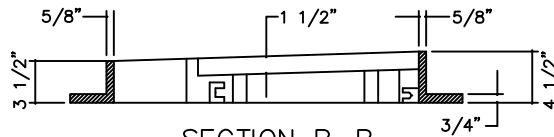


SECTION D-D

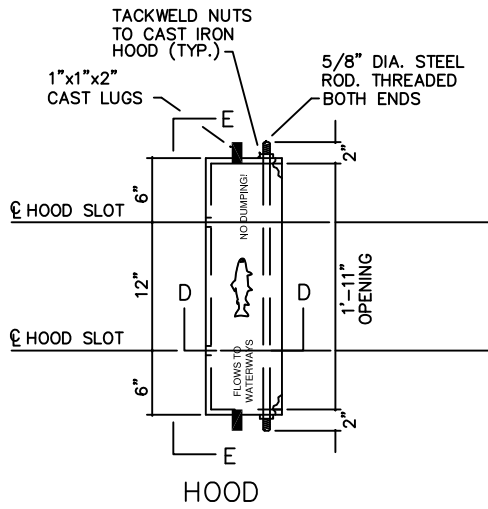


VIEW E-E

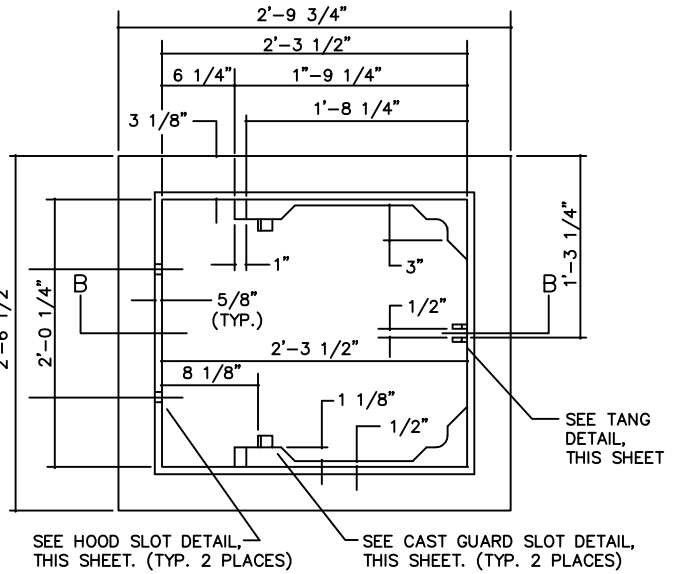
TWO (2) 3/4"x2" BOLTS
W/STD. FLAT WASHER
AND NUT



SECTION B-B



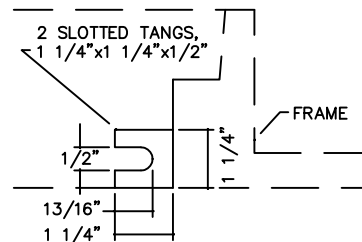
HOOD



FRAME - TYPE 2

GENERAL NOTES

1. FRAME SHALL BE GRAY IRON CONFORMING TO A.S.T.M. A48-90, GRADE 30. THE GRATE SHALL BE DUCTILE IRON CONFORMING TO A.S.T.M. A536-84, GRADE 80-55-06.
2. BOLTS AND ROD SHALL CONFORM TO A.S.T.M. DESIGNATION A307, GRADE A.
3. USE WITH CATCH BASIN AND CONCRETE INLET, SEE STD DRAWING SD-1.
4. FIT TOLERANCE SHALL BE 1/8" ±.
5. FOR GRATE DETAILS SEE STD. DRAWING SD-4.



TANG DETAIL

REVISION	APPROVED	DATE	CITY OF COEUR d'ALENE STANDARD DRAWING	APPROVED BY:
			GRATE FRAME TYPE 2	<i>Chris Bodley</i> CITY ENGINEER, PE 10804
				DATE: 6/20/18
				DWG NO. SD-3