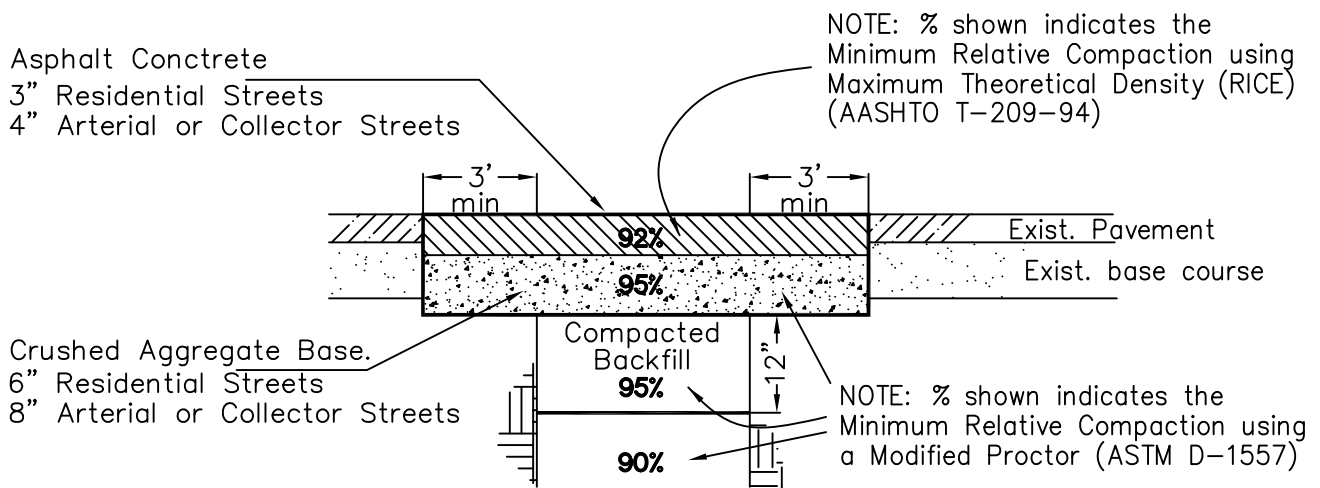
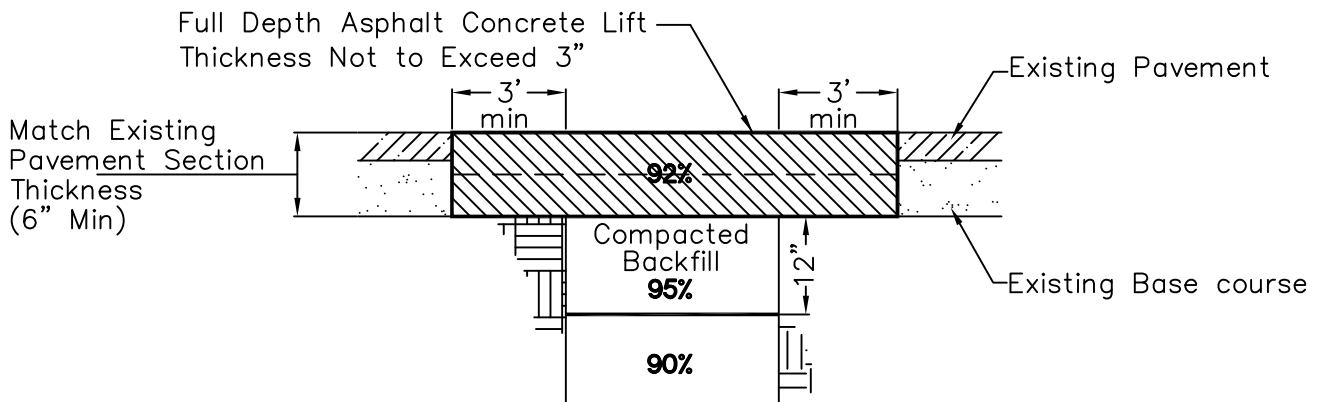


**Type "A" Repair**



**Type "B" Repair**



**Type "C" Repair**

REVISION	APPROVED	DATE	CITY OF COEUR d'ALENE STANDARD DRAWING	APPROVED BY:		
				<p><b>TRENCH CUT PAVEMENT REPAIR</b></p>	 CITY ENGINEER, PE 10804	6/20/18
						DATE:
					DWG NO.	M-11